

PROJECT	FEDERAL PROJECT	
	PROJECT	CONTRACT
1640-00-73		

T SHELBY, SIDEWALK

PLAN OF PROPOSED IMPROVEMENT

TRANSPORTATION ALTERNATIVES PROGRAM

FEDERALLY - FUNDED PROJECT

US 14 / 61 - BRICKYARD LANE
LA CROSSE COUNTY

Preliminary
06/12/2024 10:46:53 AM

PROJECT NUMBER
1640-00-73

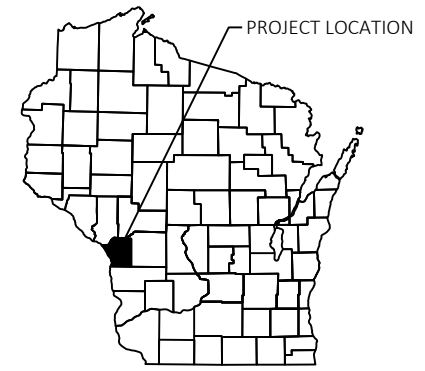
PROJECT ID:
WITH: N/A
1640-00-73

COUNTY:
LA CROSSE

ORDER OF SHEETS

Section No.	Title
1	Typical Sections and Details
2	Estimate of Quantities
3	Miscellaneous Quantities
4	Right-of-Way Plat
5	Plan and Profile
6	Standard Detail Drawings
7	Sign Plates
8	Structure Plans
9	Computer Earthwork Data
9	Cross Sections

TOTAL SHEETS =



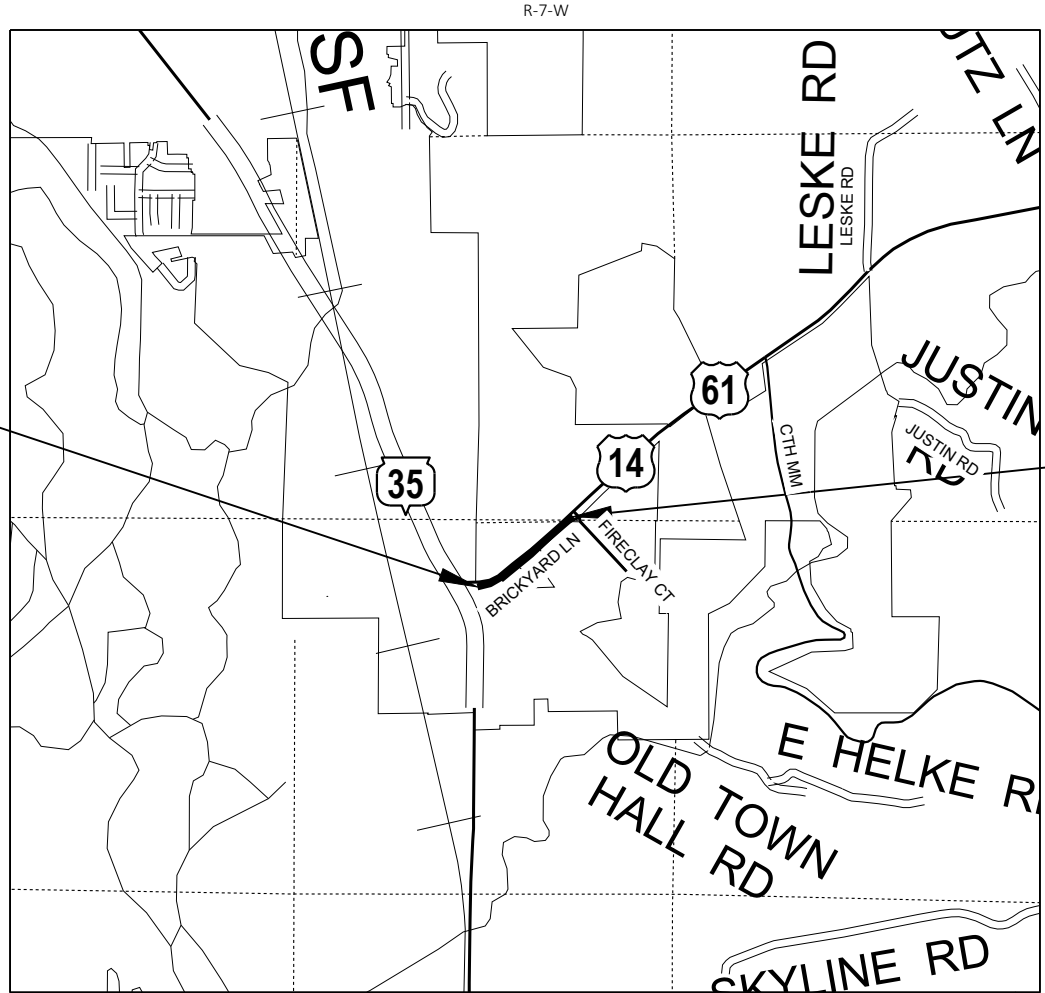
DESIGN DESIGNATION

A.A.D.T.	=	N/A
A.A.D.T.	=	N/A
D.H.V.	=	N/A
D.D.	=	N/A
T.	=	N/A
DESIGN SPEED	=	N/A
ESALS	=	N/A

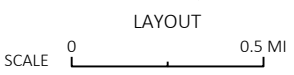
CONVENTIONAL SYMBOLS

PLAN	PROFILE
CORPORATE LIMITS	GRADE LINE
PROPERTY LINE	ORIGINAL GROUND
LOT LINE	MARSH OR ROCK PROFILE (To be noted as such)
LIMITED HIGHWAY EASEMENT	SPECIAL DITCH
EXISTING RIGHT OF WAY	GRADE ELEVATION
PROPOSED OR NEW R/W LINE	CULVERT (Profile View)
SLOPE INTERCEPT	UTILITIES
REFERENCE LINE	ELECTRIC
EXISTING CULVERT	FIBER OPTIC
PROPOSED CULVERT (Box or Pipe)	GAS
COMBUSTIBLE FLUIDS	SANITARY SEWER
MARSH AREA	STORM SEWER
WOODED OR SHRUB AREA	TELEPHONE
	WATER
	UTILITY PEDESTAL
	POWER POLE
	TELEPHONE POLE

BEGIN PROJECT
STA 1+00.00
Y=
X=



END PROJECT
STA 15+91.90



TOTAL NET LENGTH OF CENTERLINE = N/A

HORIZONTAL POSITIONS SHOWN ON THIS PLAN ARE WISCONSIN COORDINATE REFERENCE SYSTEM (WISCRS), LA CROSSE COUNTY, NAD83 (2011), IN U.S. SURVEY FEET. POSITIONS SHOWN ARE GRID COORDINATES, GRID BEARINGS, AND GRID DISTANCES. GRID DISTANCES ARE THE SAME AS GROUND DISTANCES. ELEVATIONS ARE REFERENCED TO NAVD 88 (2012). GPS DERIVED ELEVATIONS ARE BASED ON GEOID 12B.

APPROVED BY

TOWN _____ of _____ SHELBY

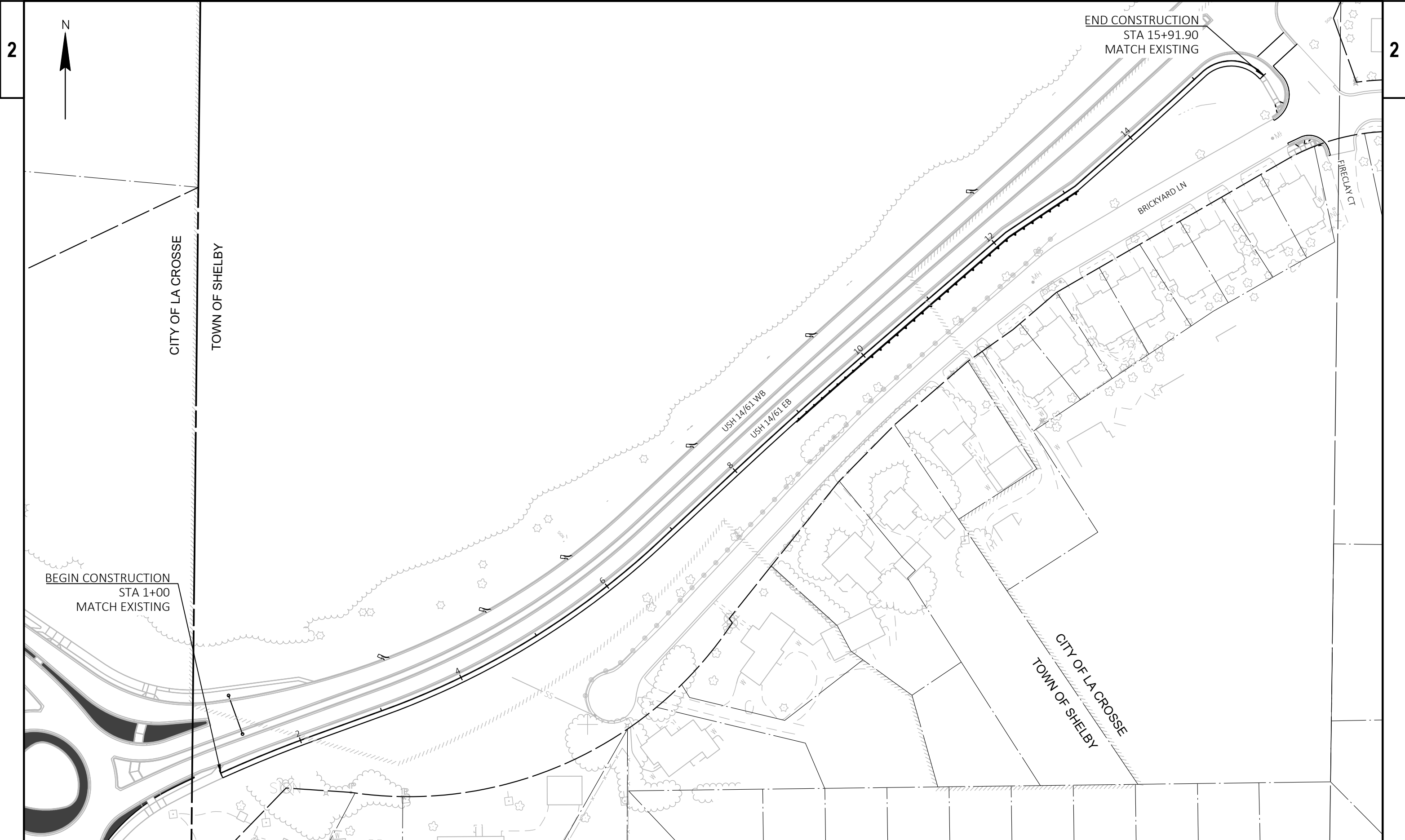
(Date) _____ (Signature & Title of Official)

ORIGINAL PLANS PREPARED BY

DATE: _____ (Professional Engineer Signature)



E



2

2



END CONSTRUCTION
STA 15+91.90
MATCH EXISTING

BEGIN CONSTRUCTION
STA 1+00
MATCH EXISTING

CITY OF LA CROSSE

TOWN OF SHELBY

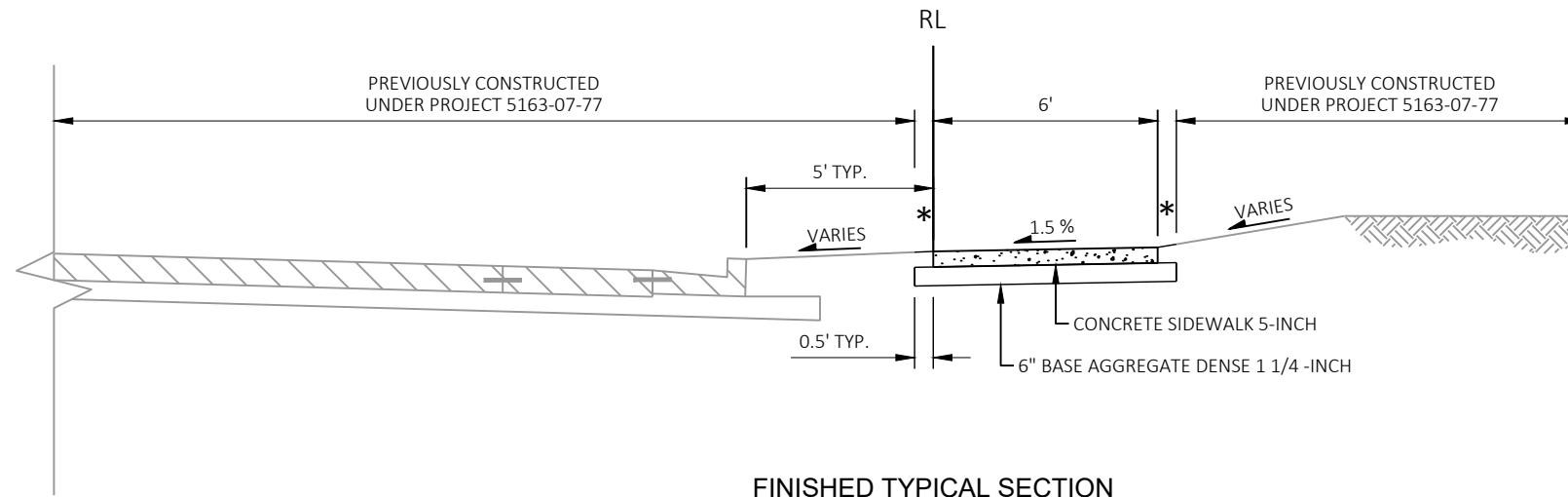
USH 14/61 WB
USH 14/61 EB

BRICKYARD LN

FIRELAN CT

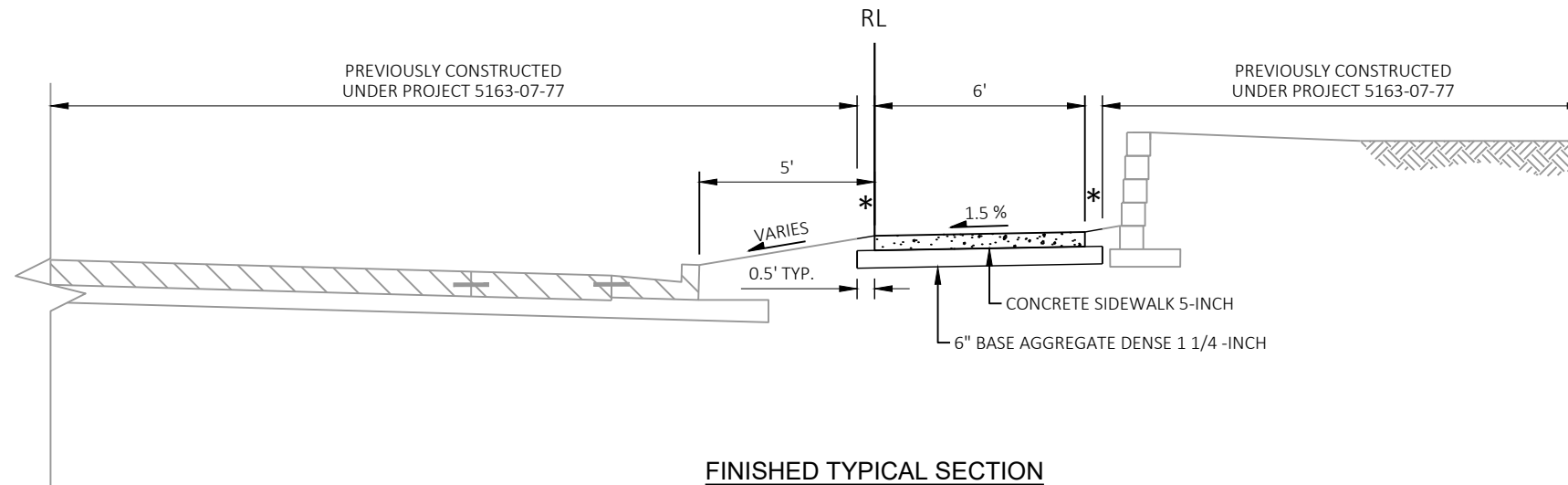
CITY OF LA CROSSE
TOWN OF SHELBY

PROJECT NO: 1640-00-73	HWY: USH 14	COUNTY: LA CROSSE	PROJECT OVERVIEW	SHEET	E
------------------------	-------------	-------------------	------------------	-------	---



FINISHED TYPICAL SECTION
 STA 1+00 - 8+90
 STA 12+18 - 15+91.90

* 6" SALVAGED TOPSOIL, SEEDING MIXTURE NO. 20, FERTILIZER TYPE B, & MULCH



FINISHED TYPICAL SECTION
 STA 8+90 - 12+18

* 6" SALVAGED TOPSOIL, SEEDING MIXTURE NO. 20, FERTILIZER TYPE B, & MULCH